

AUTOMATION SOLUTIONS RESEARCH
IN SMALL AND MEDIA ENTERPRISE
AND IN BIG INDUSTRIAL
ORGANIZATIONS, AUTOMATION
SYSTEMS DEVELOPMENT AND
CONTINUOUS TECHNOLOGICAL
IMPROVEMENT TO GUARANTEE
RELIABILITY, COMPETITIVENESS AND
TECHNICAL ASSISTANCE, CONSTITUTE
THE KNOW-HOW OF TEKNA
AUTOMAZIONE E CONTROLLO

TEKNA
AUTOMAZIONE E CONTROLLO s.r.l.

S.P. 115 Km. 1,200 - 71122 FOGGIA
tel. +39 0881 750570 - fax +39 0881 750552
e-mail: tekna@teknautomazione.com

Today's competitiveness in industrial field and necessity of the production costs reduction, requires an increase of automation and a global maintenance finalized to the machine stop times reduction.

The applicative experiences matured by TEKNA Automazione e Controllo in the variable DC and AC motor speed systems, in the use of Programmable Logic Control (P.L.C.), in robot systems, in machine vision systems and software development for plants automation and supervision, allow it to be the SYSTEM INTEGRATOR of automation systems that can provide the solution of the needs of the production process of the customer

System Engineering

derived from experience matured in the electronic automation, communications and data handling fields

Detail Engineering

of elevated complexity systems, using integrated, reliable and constantly avant-garde technologies

Technical assistance

in automation equipments choice phase and post-sale, for the productive cycles optimization.

Maintenance

preventive and in **emergency**, finalized to the reduction of "**machine stop time**" and to the general productivity of the service.

PLC CABINETS

ROCKWELL PLC CABINET FOR "BATCH
PLANT" PLANT



CABINET WITH PLC SIEMENS S7-400
HOT BACK-UP
UNLOAD CHALK ON BOAT



CABINET WITH SIEMENS S7-300 PLC



MOTOR SPEED REGULATION CABINETS

The applicative sectors of the varying speed systems increase continually to satisfy the requirements to gear the lines of production to the different types of product and to optimize the operation for energetic saving. The use of regulators for DC motor, inverter and drivers for brushless motor, require specific experience in the physical quantities management and in the close loop control.

INVERTER CABINET
ROLLER CONVEYORS SPEED CONTROL



INVERTER CABINET
CONVEYORS SPEED MANAGEMENT



INVERTER CABINET
MOTORS SYNCHRONIZATION



AUTOMATION CABINET

POWER CABINET
FOR HEATING FURNACE
GLASS PRODUCTION



1200 A DRIVER CABINET FOR
CRANE HOIST

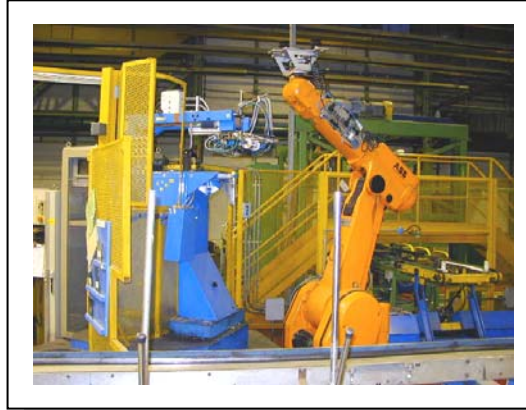


SIEMENS INVERTER CABINET FOR
CRANE TRANSLATION



ROBOTS AND MECHANICAL HANDS

AUTOMOTIVE GLASS WORKING



AUTOMOTIVE GLASSES TRANSFER

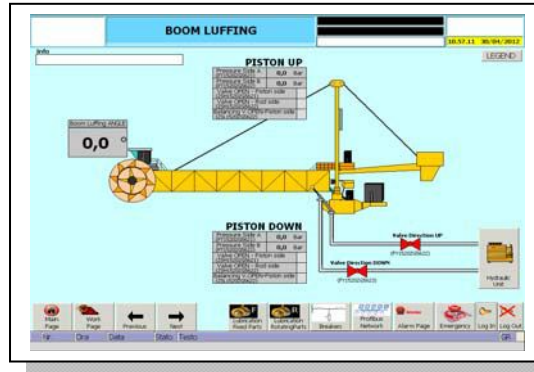


AUTOMOTIVE PARTS
WELDING LINE

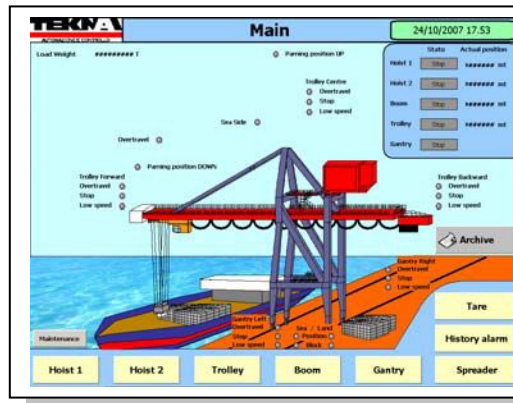


SUPERVISION SYSTEM

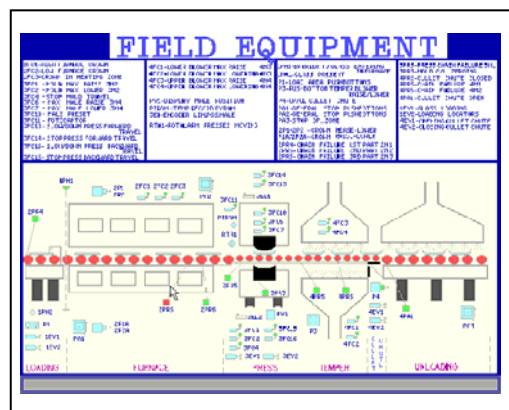
SUPERVISION
STACKER-RECLAIMER BOOM
FOR COAL PARK



AUTOMATION TRASTAINER:
HOISTING, BOOM, TROLLEY,
GANTRY,
SPREADER

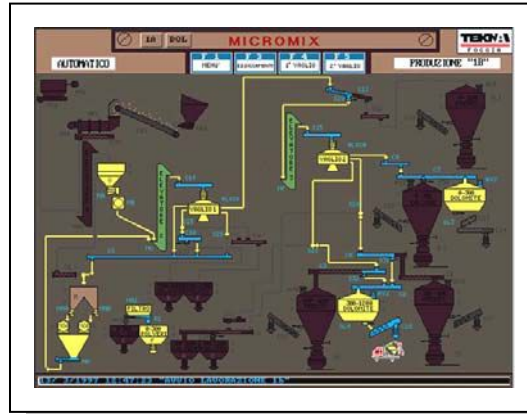


LAY-OUT OF EQUIPMENTS
GLASS TEMPERING FURNACE

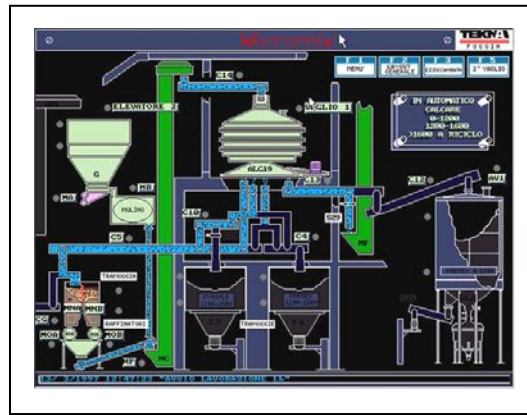


SUPERVISION SYSTEM

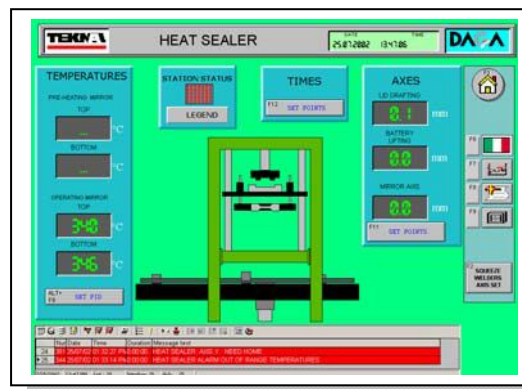
CEMENT FACTORY GENERAL LAY-OUT
DOLOMITE AND LIMESTONES PRODUCTION



MILL SUPERVISION, RIDDLING AND
REFINING



THERMOSEALER
CAR BATTERY BOX



VISION SYSTEM

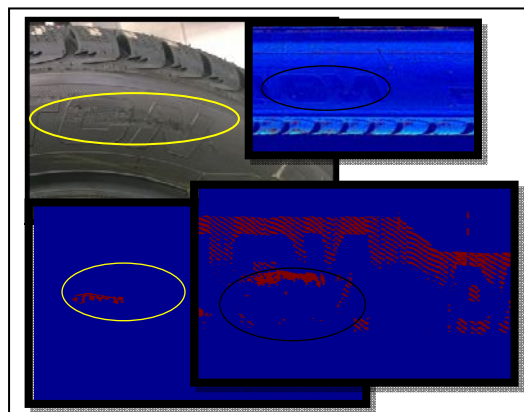
GEAR CHANGE COMPONENTS
ASSEMBLY AND CONTROL



BREAD TOASTED SLICES
AUTOMATIC QUALITY TEST FOR
NOT COMPLIANT



CHECK QUALITY AND TIRES DEFECTS
CONTROL



COMBINED CRANE AND LIFTING MACHINE AUTOMATION

Automation of combined machines, as bucket crane, bridge crane, transtainer, requires specific experience in the different types of equipments for machine management and particularly DC drive motors, inverter and P.L.C.

BUCKET CRANE
UNLOADING BULK
PRODUCTS FROM SHIP
AND LOADING IN HOPPER



40 ton. TRANSTAINER



MOBILE CRANE FANTUZZI-REGGIANE
AUTOMATION. CONTROL SYSTEM
REPLACEMENT WITH PLC SIEMENS S7
AND SUPERVISION WITH STANDARD
OPERATOR PANEL



PRODUCTION LINE

ASSEMBLY LINE FOR TYRES AND
WHEEL COUPLING



LOAD FURNACE SECTION
WITH TERMOREGULATION
CONTROLLED BY P.L.C.



METAL SHEET PRODUCTION LINE
REELS UNWIND



PRODUCTION LINES

CAR BATTERY ASSEMBLY LINE



LOAD - UNLOAD SECTION
MIRROR PRODUCTION



ALUMINUM METALLIZED FILM LINE



PRODUCTION LINES

AUTOMATIC SYSTEM
FOR WAGONS TURNING OVER
CAR DUMPER



MELT SECTION
ROCKWOOL PRODUCTION PLANT



GLASS WOOL PRODUCTION LINE



SPECIAL MACHINES AND TEST BENCHS

GLASS TEST BENCH
BREAKING LOAD CONTROL
AND MAXIMUM DEFLECTION



PARTICULAR CAR AXLE
PREDISPOSITION FOR ROBOTIZED
PLASMA ARC CUTTING

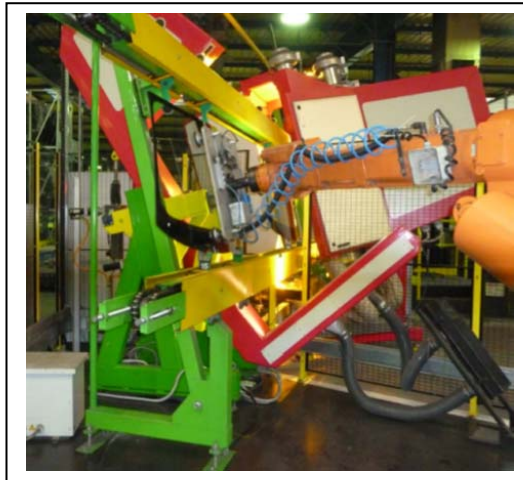


BUSHES DRIVING BENCH

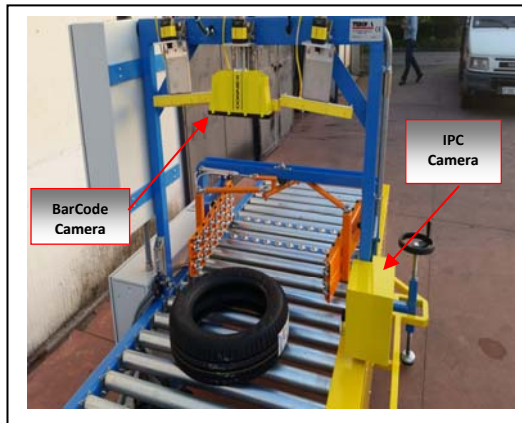


SPECIAL MACHINE AND TEST BENCHS

CAR WINDSHIELD LOAD MACHINE
FOR VISUAL CONTROL



READING AND BARCODE TIRES
CONTROL



PILLOWS TALCUM POWDER MACHINE



ENERGY PRODUCTION FROM RENEWABLE RESOURCES

PHOTOVOLTAIC



WIND FARM

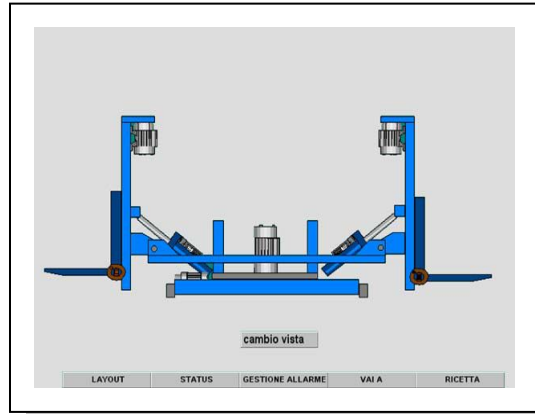


BIOMASSES AND
COGENERATION

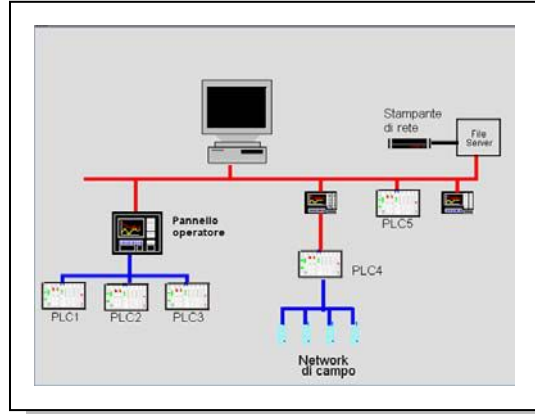


AUTOMATION LEVELS

AUTOMATION MACHINE



AUTOMATION LINES



SUPERVISION AND CONTROL SYSTEM

